

Grave Information and Options available at Sapley Road Cemetery

2024-2025



Traditional Graves

A traditional memorial allows for a combination of a headstone and kerbs that is designed to enclose the grave space.

It is offered for those who want greater choice over the design of the memorial, or for those who do not want people to walk over the grave.

The entire grave can be surrounded by kerbs, (edging or mounded full length), or a sedum mat can be installed.

The grave is an earthen grave, prepared and dug by Council staff.

The grave area within the kerbs must remain as soil and can be planted with plants and flowers approved by the Council.

Any memorial installed must adhere to the strict rules relating to the sizes and types of material used.

Islamic Graves

A traditional memorial is permitted which allows for a combination of a headstone and kerbs and is designed to enclose the grave space.

It is offered to the Muslim community in a dedicated section within Sapley Road Cemetery, to provide greater choice over the design of the memorial, and to stop any person walking over the grave.

The entire grave can be surrounded by kerbs, (edging or mounded full length), or a sedum mat can be installed.

The grave is a brick grave, prepared and dug with an internal brick surround within the grave itself. All work is carried out by Council staff.

The grave area within the kerbs must remain as soil and can be planted with plants and flowers approved by the Council.

Any memorial installed must adhere to the strict rules relating to the sizes and types of material used.

Jewish Graves

A traditional memorial is permitted which allows for a combination of a headstone and kerbs and is designed to enclose the entire grave space.

It is offered to the Jewish community in a dedicated section within Sapley Road Cemetery, to provide greater choice over the design of the memorial, and to stop any person walking over the grave.

The entire grave can be surrounded by kerbs, (edging or mounded full length), or a sedum mat can be installed.

The grave is an earthen grave, prepared and dug by Council staff.

The grave area within the kerbs must remain as soil and can be planted with plants and flowers approved by the Council.

Any memorial installed must adhere to the strict rules relating to the sizes and types of material used.

Lawn Graves

A lawn grave allows for a classic headstone and base combination, designed to be fixed at the head of the burial plot. They are offered for those who want to place only a memorial headstone at the head of the grave leaving the remainder of the grave laid to lawn.

A lawn grave does not permit any planting, kerbs, edging or mounding on the grave or within the grave space.

Any memorial installed must adhere to the strict rules relating to the sizes and types of material used.

Children's Graves

Children's graves are reserved for the burial of children under the age of 12.

Any memorial installed must adhere to the strict rules around the materials that can be used and permitted sizes.

Orchard Graves

Orchard graves are an alternative to traditional styles of burial whereby the protection of the environment is the core focus. Graves will accommodate one burial only and embalming of the body is strictly forbidden. Marking the burial position with a memorial must adhere to this ethos and there are strict rules around the materials which can be used and what type of tree is permitted.

Exclusive Rights of Burial

Grave Rights are issued for a period of 50 years or 75 years. These are known as Exclusive Rights of Burial (Deed Holder). Only the registered Deed Holder can authorise a burial or memorialisation on a grave.

What happens after the burial?

Following the funeral, the grave is backfilled using the soil excavated from it. A certain amount of "mounding up" of the grave takes place in anticipation of ground sinkage. During the weeks after the burial, the Council staff will conduct regular checks of recently backfilled graves, as well as monitoring graves after periods of rainfall. After identifying which graves require "top-ups" staff will schedule some time to carry out these works.

Subsided graves will be topped up by our staff until the soil has compacted naturally. A grave may need to be topped up on several occasions over an extended period of time.

What to do if you notice grave subsidence.

You can help us manage grave subsidence by submitting a request for a grave top up. To assist the process, please take a note of the grave's location and other details such as the name on the memorial or area of the cemetery so that we can locate the grave on our system. After identifying the grave, we will log a maintenance request and Council staff will schedule it in to a series of tops ups. Weather permitting, most top ups are completed within ten working days.

Cemetery Sections

Holly - Traditional section. (multi faith, non-religious burial area)

Cedar - Traditional section. (Muslim faith only)

Laurel - Traditional section (Jewish faith only)

Maple and Rowan – Lawn section (multi faith, non-religious burial area)

Sapling – burial and scattering of babies and children.

Wild Cherry – Orchard burial area

Willow – Burial of Cremated remain sections.



Sycamore, Hawthorn, Aspen, Hazel and Beech will be set aside for future use.

Holly Section

Graves within these areas can accommodate a maximum of 2 full body burials and 6 cremated remain burials overall.

The overall size of graves within this section is 7'0 by 3'0. Coffins or caskets beyond this size may not be suitable for graves within this section.

Holly is a traditional grave area, and a full headstone and kerbs memorial can be erected on graves within this section (only framed landings permitted, internal grave to remain as soil).

Any memorial installed must adhere to the strict rules relating to the sizes and types of material used.



Quick Reference

- Traditional Earthen Grave
- Maximum 2 full burials
- 7'0 x 3'0

Pricing (2024-2025)

	Town Resident	District Resident	Non-Resident
Purchase of Grave	£776.00 (50 years) £1016.00 (75 years)	£1552.00 (50 years) £2032.00 (75 years)	£3104.00 (50 years) £4046.00 (75 years)
Interment fee	£650.00 (Single) £850.00 (Double)	£1300.00 (Single) £1700.00 (Double)	£2600.00 (Single) £3400.00 (Double)

Cedar – Islamic Section

Graves within this section are dug to single depth unless otherwise specified at time of booking. The graves are brick lined.

The overall size of graves within this section is 7'0 by 3'0.

Burials shrouds are permitted as long as the deceased is placed on a wooden charge board to allow for safe lowering.

Coffins or caskets beyond this size may not be suitable for graves within this section.

Cedar is a traditional grave area and a full headstone and kerbs memorial can be erected on graves within this section (only framed landings permitted, internal grave to remain as soil). The grave can be mounded full length (maximum height 15cm) and sedum mat installed over the grave, with a memorial stone placed at the head of the grave.

Any memorial installed must adhere to the strict rules relating to the sizes and types of material used.



Quick Reference

- Traditional (Internal Brick) Grave
- Maximum 1 full burial
- 7'0 x 3'0

Pricing (2024-2025)

	Town Resident	District Resident	Non-Resident
Purchase of Grave	£776.00 (50 years) £1016.00 (75 years)	£1552.00 (50 years) £2032.00 (75 years)	£3104.00 (50 years) £4046.00 (75 years)
Interment fee	£1150.00	£2300.00	£4600.00

Laurel - Jewish Section

Graves within this section can accommodate a maximum of 2 full body burials and 6 cremated remain burials overall.

The overall size of a grave within this section is 7'0 by 3'0. Coffins or caskets beyond this size may not be suitable for graves within this section.

Laurel is a traditional grave area, and a full headstone and kerbs memorial can be erected on graves within this section (only framed landings permitted, internal grave to remain as soil).

Any memorial installed must adhere to the strict rules relating to the sizes and types of material used.



Quick Reference

- Traditional Earthen Grave
- Maximum 2 full burials
- 7'0 x 3'0

Pricing (2024-2025)

	Town Resident	District Resident	Non-Resident
Purchase of Grave	£776.00 (50 years) £1016.00 (75 years)	£1552.00 (50 years) £2032.00 (75 years)	£3104.00 (50 years) £4046.00 (75 years)
Interment fee	£650.00 (Single) £850.00 (Double)	£1300.00 (Single) £1700.00 (Double)	£2600.00 (Single) £3400.00 (Double)

Maple and Rowan Sections

Graves within this section can accommodate a maximum of 2 full burials and 6 cremated remains (3 remains in caskets and 3 without caskets below ground).

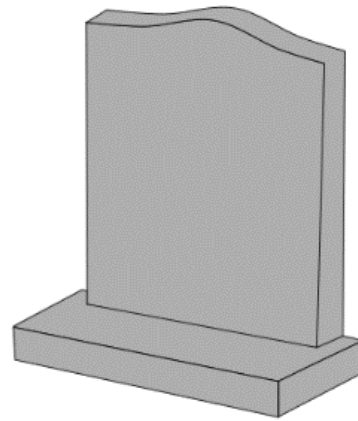
The overall size of graves within these sections are 7'0 x 3'0.

Coffins or caskets beyond this size may not be suitable for graves within this section.

Maple and Rowan are lawn grave areas, and a headstone memorial can be erected on graves within this area.

Kerbs, edging the mounding of graves of any type are not permitted in lawn sections.

Any memorial installed must adhere to the strict rules around the materials that can be used and permitted sizes.



Quick Reference

- Lawn Grave
- Maximum 2 full burials
- 7'0 x 3'0

Pricing (2024-2025)

	Town Resident	District Resident	Non-Resident
Purchase of Grave	£576.00 (50 years) £796.00 (75 years)	£1152.00 (50 years) £1592.00 (75 years)	£2304.00 (50 years) £3184.00 (75 years)
Interment fee	£650.00 (Single) £850.00 (Double)	£1300.00 (Single) £1700.00 (Double)	£2600.00 (Single) £3400.00 (Double)

Sapling - Children's section

A grave accommodates one full burial.

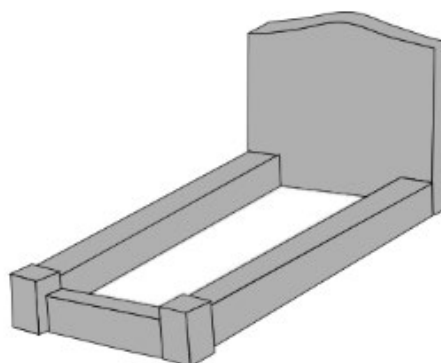
The overall size of graves within this section is 4'0 by 2'0.

Coffins or caskets beyond this size may not be suitable for graves within this section.

Sapling permits a full headstone and kerb set on the grave.

Only authorised fixed permanent kerb sets are permitted.

Any memorial installed must adhere to the strict rules around the materials that can be used and permitted sizes.



Quick Reference

- Traditional Grave or Lawn
- Maximum 1 full burial
- 4'0 x 2'0

Pricing (2024-2025)

	Town Resident	District Resident	Non-Resident
Purchase of Grave	£332.00 (50 years) £532.00 (75 years)	£664.00 (50 years) £1064.00 (75 years)	£1328.00 (50 years) £2128.00 (75 years)
Interment fee	£0.00	£0.00	£0.00

Wild Cherry - Orchard Grave

Wild cherry is an alternative to traditional styles of burial whereby the protection of the environment is the core focus.

Coffins and caskets must be made from bio-degradable materials only.

Burial shrouds are permitted as long as the deceased is placed on a charge board for safe lowering.

The deceased is not allowed to be embalmed.

Graves will only accommodate one burial.

The overall size of graves within these sections are 7'0 x 3'0.

Coffins or caskets beyond this size may not be suitable for graves within this section.

A single square wooden plaque will be provided and laid flat at the head of the grave. Inscription arranged through the cemetery office.

The grave is laid to lawn and an approved tree planted outside the grave space acts as the memorial.

A native fruit tree to England maybe planted in accordance with the Council's Orchard Plan.



Quick Reference

- Lawn Grave
- Planting of a Tree
- Memorial - Wooden Marker only
- Maximum 1 full burial
- 7'0 x 3'0

Pricing (2024-2025)

	Town Resident	District Resident	Non-Resident
Purchase of Grave	£690.00 (50 years) £930.00 (75 years)	£1380.00 (50 years) £1860.00 (75 years)	£2760.00 (50 years) £3720.00 (75 years)
Interment fee	£650.00 (Single)	£1300.00 (Single)	£2600.00 (Single)

Willow - Cremated Remains Section

Willow is a dedicated area just for the burial of cremated remains.

Cremated remains caskets must be made from bio-degradable materials only. Most containers supplied by the crematorium are made from cardboard and therefore fine to remain in these containers.

The plots can accommodate two sets in a single plot or four sets of remains in a family plot.

The plot sizes are as follows:-

Single Plot 24" x 32" (610mm x 810mm)

Family Plot 32" x 32" (810mm x 810mm)

A cremated remains plot is provided with memorialisation directly from the Council. No other type of memorial is permitted. All enquiries for this type of plot should be made directly with the cemetery office.



Quick Reference

- Single Plot - 2 sets of cremated remains
- Family Plot - 4 sets of cremated remains
- Memorial purchased directly through the Council.

Pricing (2024-2025)

	Town Resident	District Resident	Non-Resident
Purchase of Single Plot*	£1500.00 (50 years) £2000.00 (75 years)	£3000.00 (50 years) £4000.00 (75 years)	£6000.00 (50 years) £8000.00 (75 years)
Purchase of Family Plot*	£2250.00 (50 years) £2750.00 (75 years)	£4500.00 (50 years) £5500.00 (75 years)	£9000.00 (50 years) £11000.00 (75 years)

Please note if cremation took place at Huntingdon Crematorium Town Resident fees will apply.
*First interment included in fees for single plot. Two interments included in the fees for family plot.

THE NEXT STEPS:

Once you have made a decision on the type of grave you wish to purchase please contact the cemetery office to make an appointment, so an officer can talk you through the documentation required for completion and also for you to look at the site and sections where the grave will be positioned.

When purchasing a grave, whether at the time of death or purchasing in advance, a person will be allocated the next available space. A plot can be specified but use of the plot at time of need is subject to ground suitability and weather conditions. For instance if digging becomes unsuitable due to high water table or other factors outside our control. However, every effort will be made to accommodate family wishes where possible.

Please contact the cemetery office to make a suitable date and time for an appointment to meet with an officer.

Contact Telephone Number: 01480 410388

Email address: Huntingdon.crematorium@huntingdowntown.gov.uk

Address:

Huntingdon Crematorium & Cemetery Office

Sapley Road

Kings Ripton

Huntingdon

PE28 2NX